

# Submersible Sludge Pump Type ABS XJS 50

EN 50 Hz

## Specification

Electric submersible pump.  
 Maximum submergence: 20 m. • Protection class IP 68.  
 Max temperature of pumped medium at max power input and continuous duty 40 °C.  
 Max medium density 1100 kg/m<sup>3</sup>. • pH of the pumped medium 5-8.  
 Free passage: 48 x 60 mm.  
 Max number of starts 30/hour.  
 Min impeller diameter for duty with low water level or intermittent dry running. Max impeller diameter requires half motor or more submersed for continuous duty. (Pump can operate lying down.)

**XJS 50 D -160, 3-phase**  
**XJS 50 D -160 AT\*, 3-phase**  
**XJS 50 D -175, 3-phase**  
**XJS 50 D -175 AT\*, 3-phase**

\*AquaTronic: Built in electronic pump control.

## Electric Motor

3-phase squirrel-cage induction motor, 50 Hz  
 Service factor 1.1. Class F insulation.  
 Motor rating P<sub>2</sub>: 5.6 kW. 2 pol, Speed: 2930 rpm  
 η: 86.7 (50 %), 90.8 (75 %), 89.6 (100 % load)

Voltage, V	230	400	500 - 550	690	1000
Nominal current, A	19.7	11.3	9.0 - 10.8	6.6	4.5

## Starting Method and Motor Protection

**XJS 50 AT:** Direct on line start (DOL 400-550 V) with built in AquaTronic unit, which automatically adjusts phase order by dual contactors, ensuring correct motor rotation.  
 Soft start is built in with the AquaTronic unit at 230 V, where three thyristors reduces start current to three times the nominal current. Here two relays ensures correct motor rotation. Soft start is available as option at 400 V.  
 The AquaTronic unit monitors motor temperature, by use of NTC thermistors built into stator windings, and stops the motor at high temperature. It will also stop the motor at high amperage or if a phase is missing.

**XJS 50:** Direct on line start with built in contactor. Pumps to be used with VFD or 1000 V must have terminal block instead of contactor. Thermal switches (140 °C, ±5) built into the stator windings are connected to the contactor and stops the pump at high temperature.

## Power Cable

20 m type S1BN8-F (standard cable):  
 4 x 2.5 sq.mm. (230 V)  
 4 x 1.5 sq.mm. (400-690 V)

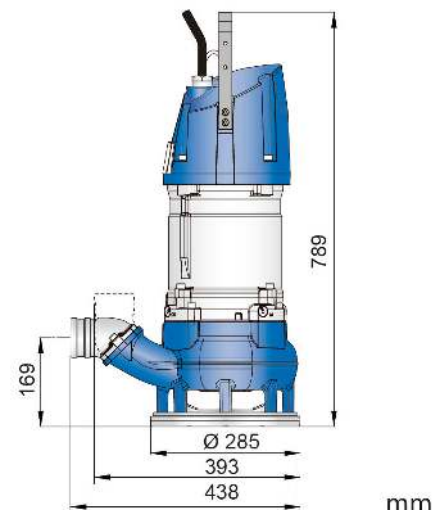
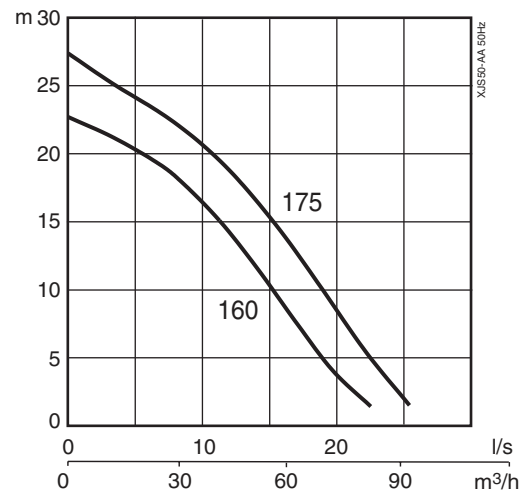
20 m type NSSHÖU.../3E (heavy duty cable):  
 3x2.5+3x2.5/3E+3x1.5 (3 control cables included) 1000 V or terminal block)  
 3x2.5+3x2.5/3E (230 V)  
 3x1.5+3x1.5/3E (400-690 V)

## Shaft Seal

Double mechanical seal in oil bath.  
 Primary seal: Silicon carbide on silicon carbide  
 Secondary seal: Silicon carbide on carbon

## Bearings

Upper bearing: Single-row deep groove ball bearing.  
 Lower bearing: Double angular contact ball bearing.



## Discharge Connections

2 1/2", 3" (standard), 4" hose connections.  
 2 1/2", 3", 4" G/B.S.P. threaded connections.

## Weight (without cable)

59 kg

## Options and Accessories

AquaPlug • Level sensor • Service data kit  
 Zinc anodes • Surface protection coating  
 Floatation system  
 Discharge connection accessories and hose

Pump control	XJS 50	XJS 50 AT				
Features		AT	AT + Level Sensor	AT + AquaPlug	AT + AquaPlug + Level Sensor	Service Data Kit Read out
Run mode	•	•	•	•	•	
Integrated start equipment	•	•	•	•	•	
Automatic direction of rotation		•	•	•	•	
Motor protection high temp	•	•	•	•	•	•
Motor protection high amp		•	•	•	•	•
Protection against missing phase		•	•	•	•	•
Level control			•		•	
Dry run protection			•		•	
Automatic restarting			•		•	
Stop mode				•	•	
E-mode (Automatic stop/run)					•	
Indication of water in oil				•	•	•
Indication of low motor insulation				•	•	•
Indication of high or low voltage				••	••	•
Indication of high temperature				••	••	•
Indication of high amp				••	••	•
Indication of phase unbalance				••	••	•
USB cable connection		•	•	•	•	•
Crash logg (10 latest)						•
Documentation (spare part list, workshop manual)						•

•• Fault indication when pump is automatically stopped to protect the motor.

#### Materials

Description	Material	EN	ASTM
Motor housing	Aluminium	EN 1706:AC-43100	ASTM AISi10mg
Handle	Stainless steel	10088:X5CrNi18-10 (1.4301)	AISI 304
Rotor shaft	Stainless steel	10088:X20Cr13 (1.4021)	AISI 420
Volute / Impeller	Nodular cast iron	1563:ENGJS-HB150	ASTM A 536-80:60-40-18
Fasteners	Stainless steel	10088:X5CrNiMo 17122 (1.4401)	AISI 316
O-rings	Nitrile rubber		
Coating	2 component epoxy paint 80 µm		