

Submersible Drainage Pump Type ABS J 205

Specification

Electric submersible pump.
 Maximum submergence: 20 m. • Protection class IP 68.
 Max temperature of pumped medium at max power input and continuous duty 40°C.
 Max medium density 1100 kg/m³. • pH of the pumped medium 5-8.
 Strainer hole 8 x 34 mm. • Max number of starts 30/hour.

J 205 ND Medium head, 3-phase.

J 205 HD High head, 3-phase.

Electric Motor

3-phase squirrel-cage induction motor, 50 Hz.
 Service factor 1.1. Class F insulation.
 Motor rating P₂: 21.0 kW. Speed: 2930 rpm

Voltage, V	230	400	500 - 550	690	1000
Nominal current, A	68	39	31 - 30	23	16

Starting Method

D.O.L. start with built-in contactor (1000 V with terminal block).
 D.O.L. start with built-in SoftDrive (400-460 V).
 Star-Delta start with built-in terminal block.
 When used with VFD, pump must be equipped with terminal block instead of contactor.

Power Cable

20 m type S1BN8-F (standard cable):
 4 x 4 sq.mm. (690 V DOL-start)
 4 x 10 sq.mm. (400-550 V DOL-start)
 4 x 16 sq.mm. (230 V DOL-start)
 10 x 2.5 sq.mm. (690 V star-delta start)
 2-4 x 6 sq.mm. + 4 x 1.5 sq.mm. (400-550 V star-delta start)
 2-4 x 10 sq.mm. + 4 x 1.5 sq.mm. (230 V star-delta start)

20 m type NSSHÖU.../3E (heavy duty cable):
 3x6+3x6/3E+3x1.5 (3 control cables incl.) (690-1000 V DOL-start)
 3x10+3x10/3E+3x2.5 (3 control cables incl.) (400-550 V DOL-start)

Motor Protection

Built-in thermal switches in the stator windings (140°C, ±5), connected to built-in contactor, SoftDrive or to separate control box.
 DI leakage sensor as option, but not in combination with built-in contactor or SoftDrive.

Shaft Seal

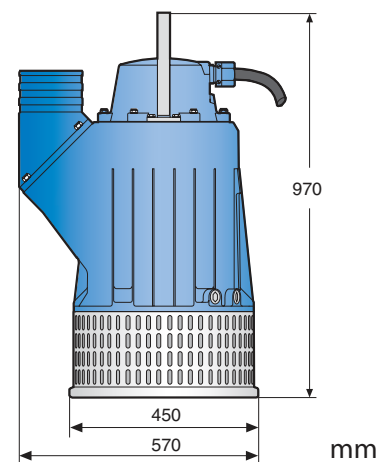
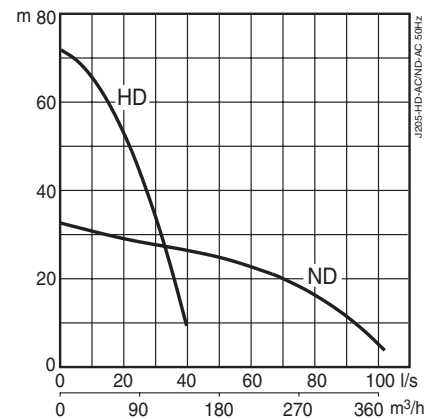
Double mechanical seal in oil bath, mounted in seal cartridge for easy service.
 Primary seal: Silicon carbide on silicon carbide.
 Secondary seal: Silicon carbide on antimony treated carbon.

Bearings

Upper bearing: Single-row deep groove ball bearing.
 Lower bearing: Double angular contact ball bearing.

Materials		EN	ASTM
Casing and castings	Aluminium	EN 1706: AC-43100	ASTM A1Si10mg
Strainer / Handle / Fasteners	Stainless steel	10088:X5CrNi18-10 [1.4301]	AISI 304
Shaft	Stainless steel	10088:X20Cr13 [1.4021]	AISI 420
Impeller	White cast iron	EN-GJN-HV600(XCr23)	ASTM A 532: Alloy III A
Wear parts / O-rings	Nitrile rubber		

EN 50 Hz



Discharge Connections

4" (standard HD), 6" (standard ND), 8" hose connections.
 4", 6", 8" B.S.P. threaded connections.

Weight (without cable)

155 kg

Options and Accessories

Zinc anodes • Surface protection coating
 Wear plate in polyurethane • Electronic motor supervision
 Series connection • Starter and control units
 Automatic level control unit • Floatation system • Repair kit
 Discharge connection accessories and hose